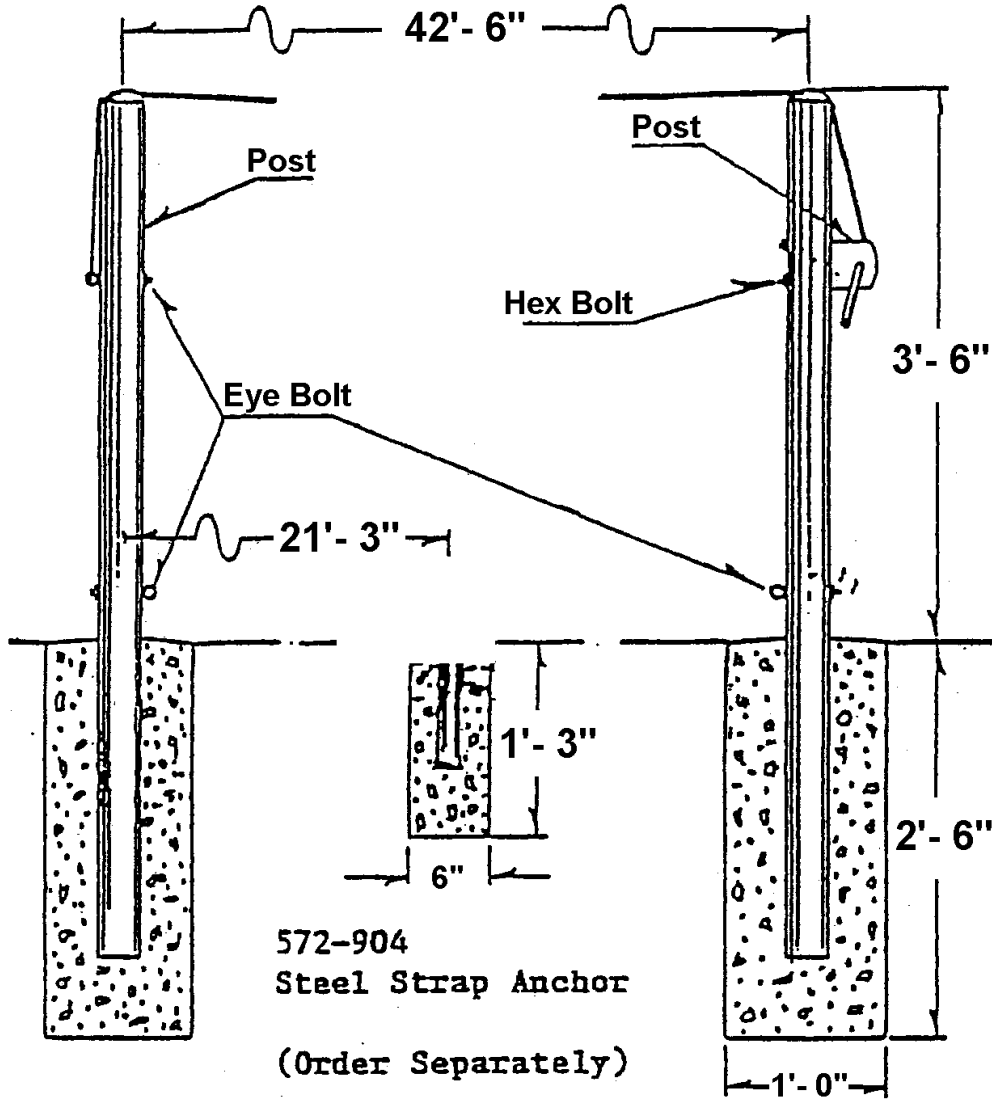


571-106 Tennis Post / 571-106C (Powdercoated) (pair)

Please retain this instruction sheet in your files. It contains important maintenance instructions as well as replacement parts information.



SPECIFICATIONS: Posts are 3.5 OD x 8 Gage galvanized steel tubing with a cast aluminum cap and ratchet type net reel.

<u>PACKING LIST</u>			<u>HARDWARE BAG</u>			
1	CTN	1	Hardware Bag	2	105-018	Post Cap (Installed)
		1	Net Reel	3	146-520	5/16" x 5" Eye Bolt
2	PIPE	2	Post	2	116-516	5/16" x 4" Hex Bolt
				10	316-501	5/16" Flat Washer
				5	216-501	5/16" Hex Nuts

1 CTN	2 PIPE	3 TOTAL PIECES	WEIGHT 82#	CLASS 70
-------	--------	----------------	------------	----------

571-106 Tennis Post / 571-106C (Powdercoated) (pair)

Page 2 of 2
Rev. 05/08/08

GENERAL ASSEMBLY INSTRUCTIONS:

Check all parts and hardware against the packing list to insure you have received everything needed to assemble this product.

Check each part carefully and remove any sharp edges or projections that may have been caused in shipping. Contact your distributor with notification of any missing or damaged parts. Contact must be made within ten days of receipt of your order.

After assembly is complete, all threaded ends of bolts protruding beyond nuts should be cut off and/or peened over to remove any sharp projections. Also, there are a few extra washers supplied to be used as spacers where needed to prevent any thread projection beyond the nuts.

SPECIFIC ASSEMBLY INSTRUCTIONS:

STEP #1: Assemble Eyebolts in posts as shown in illustration using:

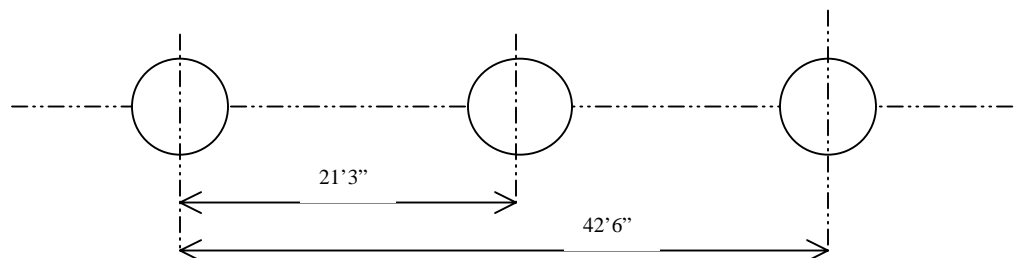
146-520 Eye Bolt
316-501 Flat Washer (goes on Nut side of post)
216-501 Hex Nut

STEP #2: Attach the Net Reel to the post as shown in illustration using:

116-516 Hex Bolt
316-501 Flat Washer (goes on Nut side of post)
216-501 Hex Nut

STEP #3: Locate and dig footing holes and Net Anchor Hole as indicated on the Footing diagram below.

STEP #4: After checking and tightening all bolted connections, prop the posts and the net anchor to the indicated depth and pour the concrete, using 7 - 80lb. Bags of pre-mix. The top of the concrete should be crowned for drainage. Allow at least 48 hours for the concrete to harden.



MAINTENANCE INSTRUCTIONS:

Check periodically for loose bolts or broken parts. Replace any broken or damaged parts immediately.